



$\text{B} \cdot \text{D} \cdot \text{D}^{\frac{3}{4}} \cdot \text{D}^{\circ} \cdot \text{D}^{\frac{1}{4}} \cdot \text{D} \cdot \text{D}^{\frac{1}{2}} \cdot \tilde{\text{N}}_k$
 $\text{D} \cdot \text{D}^{\circ} \cdot \tilde{\text{N}} \cdot \text{D}_{\mu} \cdot \tilde{\text{N}} \cdot \tilde{\text{N}} \cdot \tilde{\text{N}} \cdot \text{D}^{\circ} \cdot \tilde{\text{N}} \in \text{N} \langle \text{D} \cdot \text{D} \rangle \cdot \tilde{\text{N}} \cdot \text{D}^{\circ} \cdot \tilde{\text{N}} \cdot f \cdot \tilde{\text{N}} \dots \text{D}^{\frac{1}{2}} \cdot \text{D} \text{,}$

$\text{D} \cdot \text{D} \cdot \text{D}_{\mu} \cdot \text{D} \pm \text{D}_{\mu} \cdot \text{D} \rangle \cdot \tilde{\text{N}} \cdot \text{D} \cdot \text{D}^{\frac{1}{2}} \cdot \tilde{\text{N}} \langle \text{D}_{\mu} \cdot \text{D}^{\circ} \cdot \text{D}^{\frac{3}{4}} \cdot \text{D}^{\frac{1}{4}} \cdot \text{D} \rangle \cdot \text{D} \cdot \text{D} \rangle \cdot \text{D}_{\mu} \cdot \text{D}^{\circ} \cdot \tilde{\text{N}} \cdot \tilde{\text{N}} \cdot f \cdot \tilde{\text{N}} \cdot \tilde{\text{Z}}$

Đ Đ: Đ'ĐμÑ€ĐμĐ²Đ°Đ''Đ Đ·Đ°Đ¹Đ¹/₂
Đ, Đ¹/₂Ñ, ĐμÑ€Ñ€ĐμÑ€Đ°

ĐžĐžĐž Đ-Ñ€Đ³Đ¼Ñ·Đ, Ñ·Ñ, ĐμĐ¼

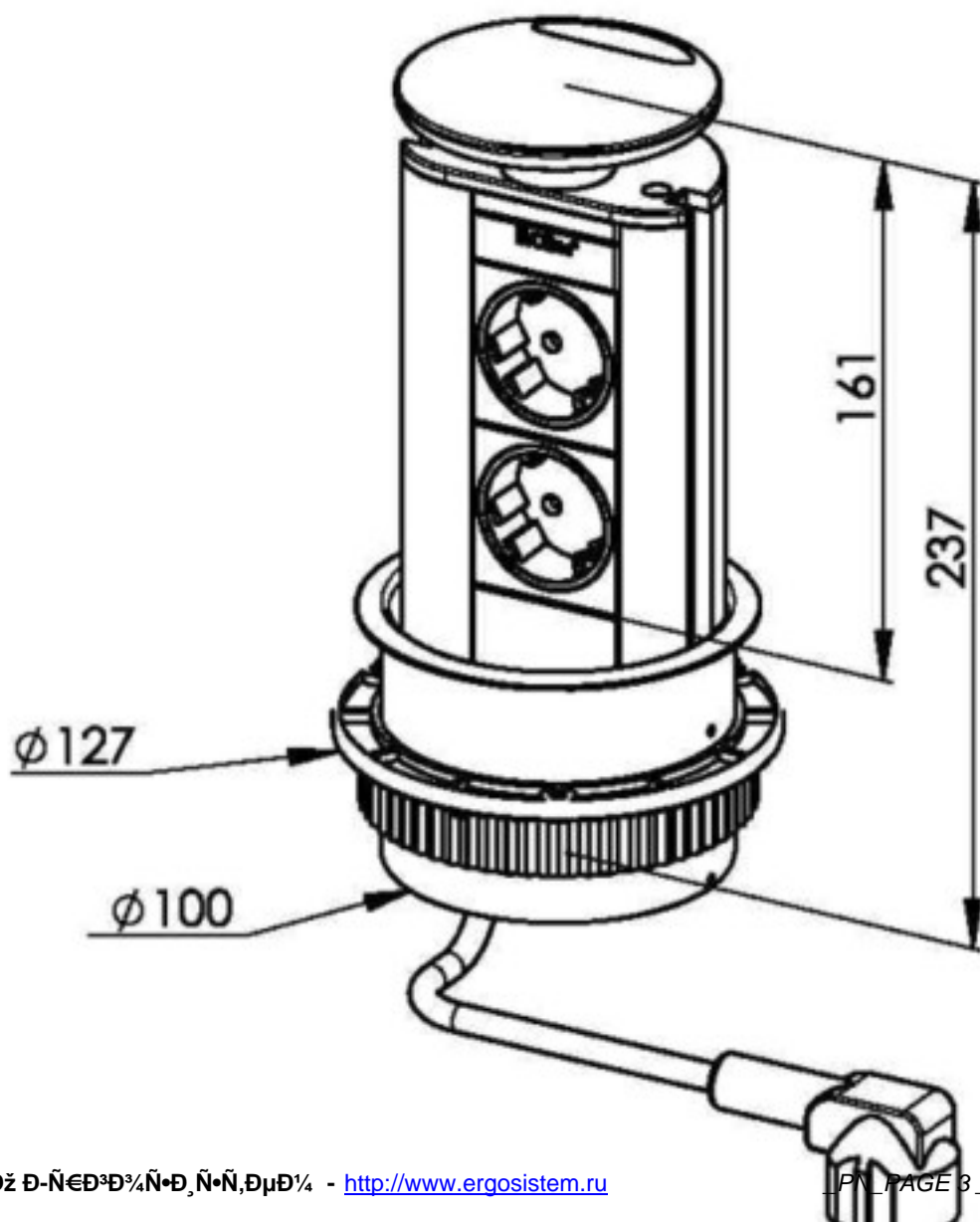
Đ'Ñ·Ñ, Ñ€Đ°Đ, Đ²Đ°ĐμĐ¹/₄Đ°Ñ·

Đ²Ñ·Đ'Đ²Đ, Đ¶Đ¹/₂Đ°Ñ· Ñ€Đ³/₄Đ·ĐμÑ, Đ°Đ° EVOLine

Port 931.00.033 Ñ·ĐμÑ€ĐμĐ±Ñ€Đ, Ñ·Ñ,

16 409 Ñ€ÑfĐ±





DœD1/2DµD1/2D,Ñ•DžD3/4D°ÑfDžD°Ñ,DµD»DµD1: D•Ñ%oDµ D1/2DµÑ, D1/4D1/2DµD1/2D,D1 D3/4D±Ñ•Ñ,D3/4D1/4Ñ,D3/4D2D°Ñ€Dµ.

DÿD3/4D¶D°D»ÑfD1Ñ•Ñ,D°, D2D3/4D1D'D,Ñ,Dµ,Ñ‡Ñ,D3/4D±Ñ<D3/4Ñ•Ñ,D°D2D,Ñ,ÑCEÑ•D2D3/4DµD1/4D1/2DµD1/2D,Dµ.